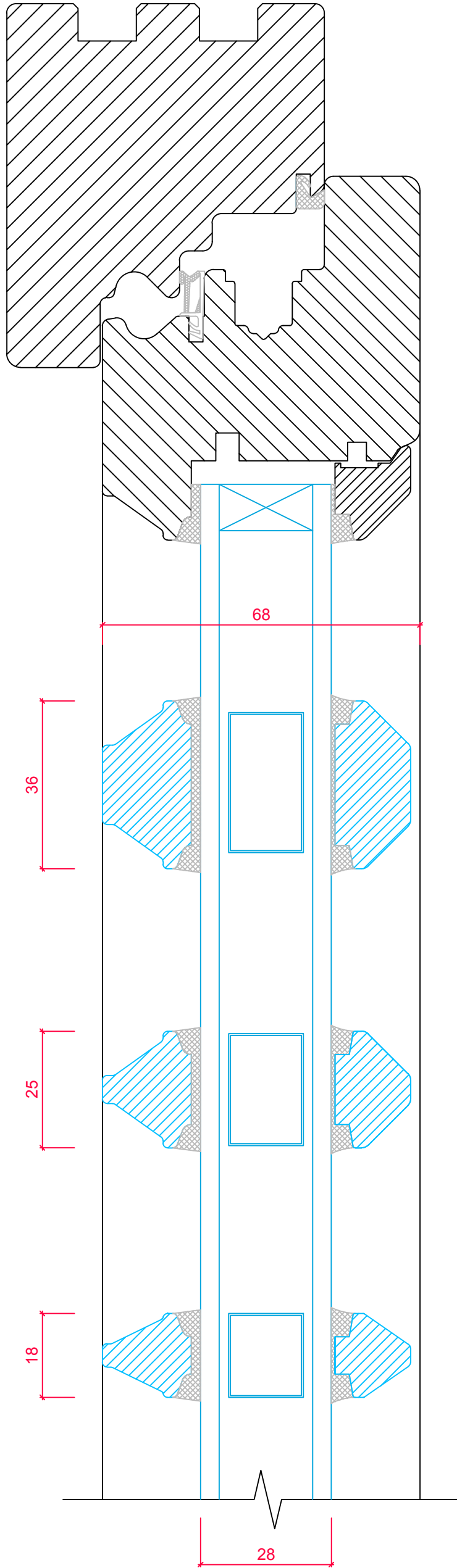


THIS DRAWING AND SPECIFICATIONS ARE THE PROPERTY OF THE PERFORMANCE WINDOW GROUP. THEY ARE ISSUED IN STRICT CONFIDENCE AND SHALL NOT BE REPRODUCED, COPIED OR USED AS THE BASIS FOR MANUFACTURING WITHOUT WRITTEN PERMISSION.



36mm BEVEL BEAD

27mm BEVEL BEAD

18mm BEVEL BEAD



**TOLERANCES**  
UNLESS OTHERWISE SPECIFIED

ALL DIMENSIONS IN MM  
ALL LINEAR DIMENSIONS ±0.4  
ALL ANGLE DIMENSIONS ±0.5°  
BREAK ALL SHARP EDGES 0.5

PRODUCT RANGE:  
TILT/TURN CASEMENT

TITLE  
VERTICAL SECTION DETAIL  
- GLAZING BAR DETAILS

Rev B

DRAWN BY: LH | DATE DRAWN: 01/03/2017 | SCALE: 1:1