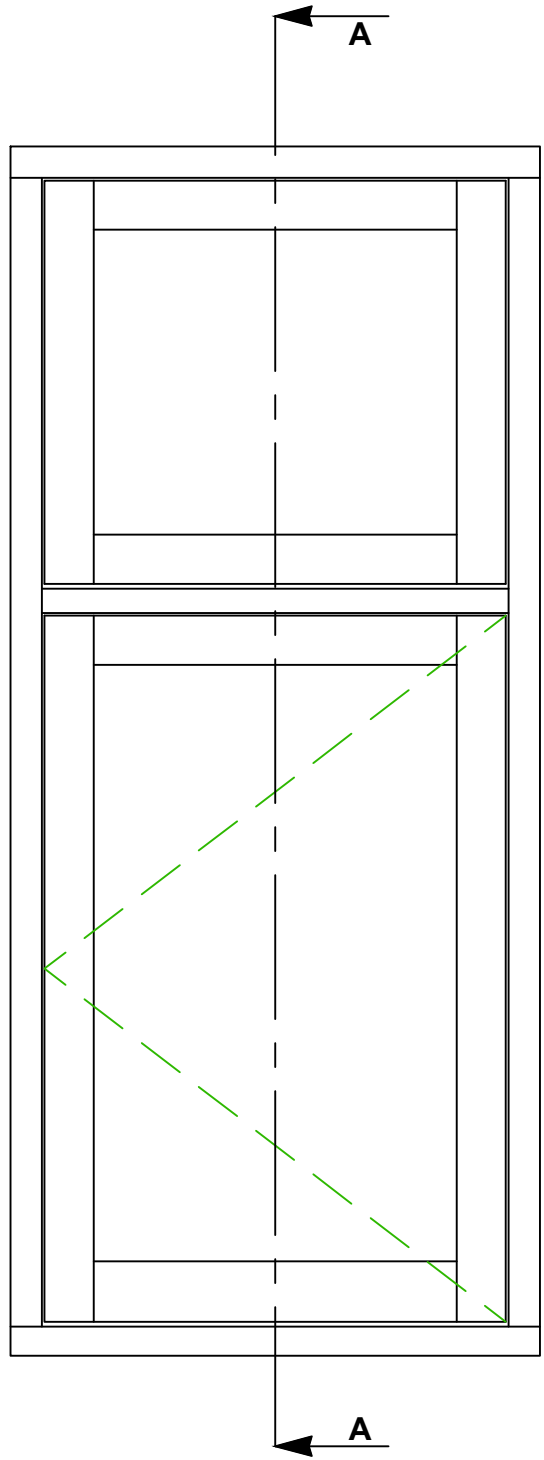
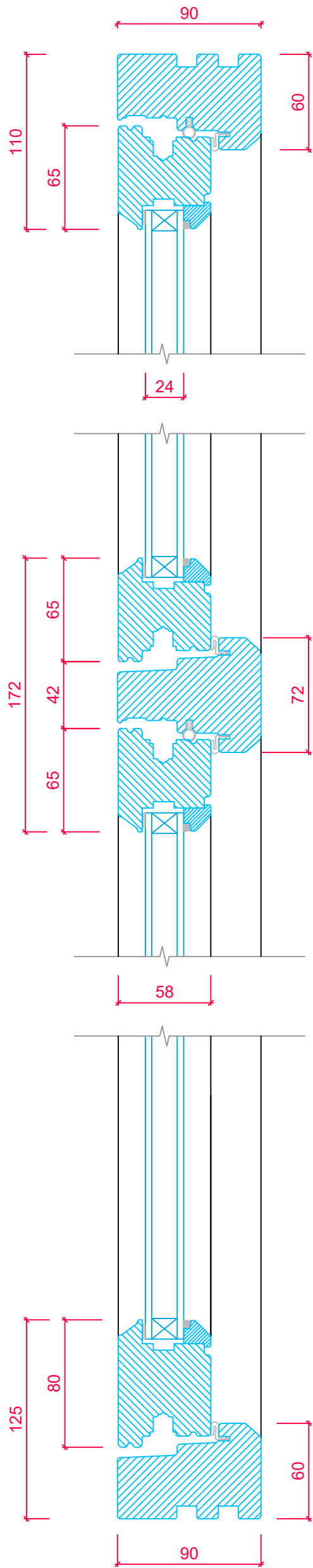


THIS DRAWING AND SPECIFICATIONS ARE THE PROPERTY OF THE PERFORMANCE WINDOW GROUP. THEY ARE ISSUED IN STRICT CONFIDENCE AND SHALL NOT BE REPRODUCED, COPIED OR USED AS THE BASIS FOR MANUFACTURING WITHOUT WRITTEN PERMISSION.



**TYPICAL CASEMENT LAYOUT**



**CASEMENT CROSS SECTION 'A-A'**



**TOLERANCES**  
UNLESS OTHERWISE SPECIFIED

ALL DIMENSIONS IN MM  
ALL LINEAR DIMENSIONS ±0.4  
ALL ANGLE DIMENSIONS ±0.5°  
BREAK ALL SHARP EDGES 0.5

PRODUCT RANGE:  
FLUSH CASEMENT (Bevel)  
24mm Unit

TITLE  
VERTICAL SECTION DETAIL  
- WITH TRANSOM

Rev B

DRAWN BY: LH      DATE DRAWN: 01/08/2019      SCALE: 1:3, 1:10