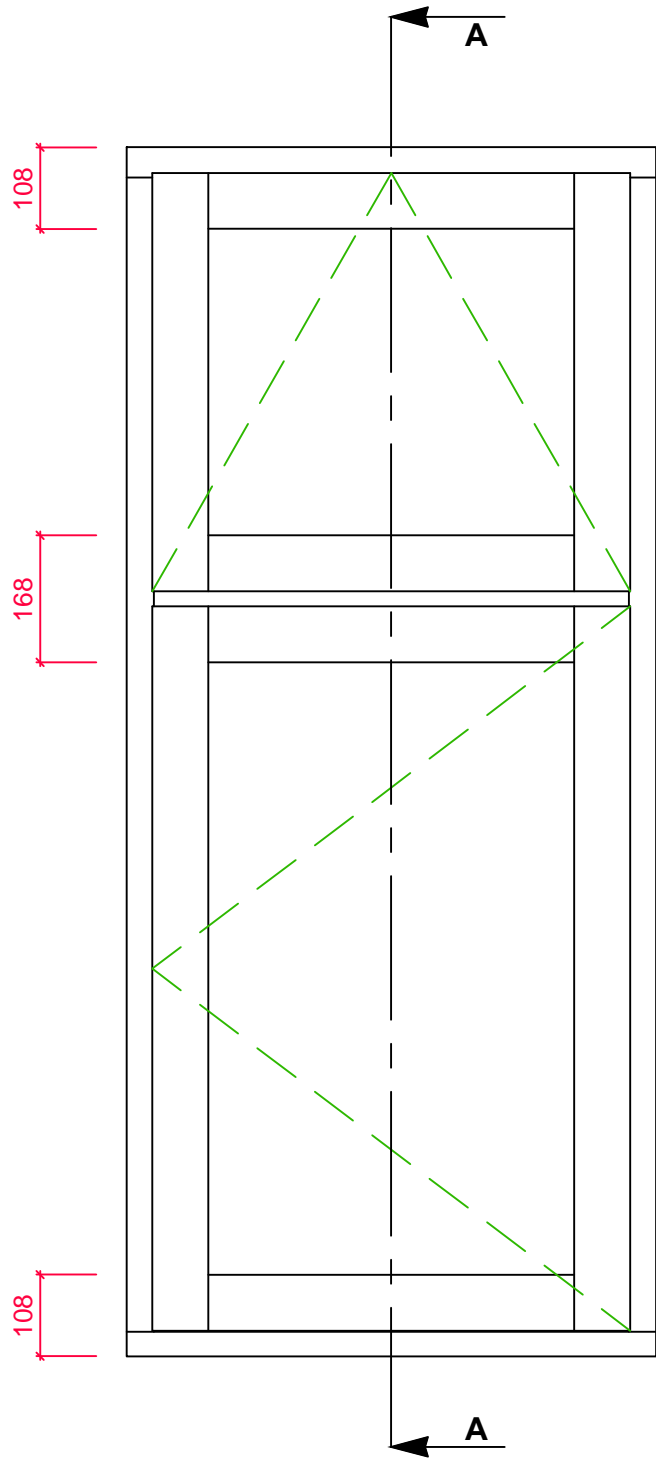
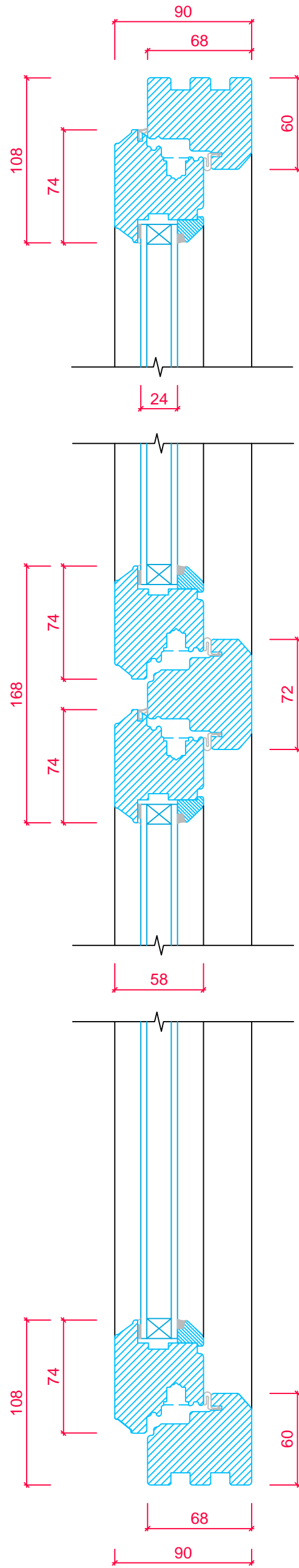


THIS DRAWING AND SPECIFICATIONS ARE THE PROPERTY OF THE PERFORMANCE WINDOW GROUP. THEY ARE ISSUED IN STRICT CONFIDENCE AND SHALL NOT BE REPRODUCED, COPIED OR USED AS THE BASIS FOR MANUFACTURING WITHOUT WRITTEN PERMISSION.



TYPICAL CASEMENT LAYOUT



CASEMENT CROSS SECTION 'A-A'



TOLERANCES
UNLESS OTHERWISE SPECIFIED

ALL DIMENSIONS IN MM
ALL LINEAR DIMENSIONS ±0.4
ALL ANGLE DIMENSIONS ±0.5°
BREAK ALL SHARP EDGES 0.5

PRODUCT RANGE:

STORMPROOF CASEMENT

TITLE

VERTICAL SECTION DETAIL
- WITH TRANSOM

Rev B

DRAWN BY: LH DATE DRAWN: 01/03/2017 SCALE: 1:3, 1:10