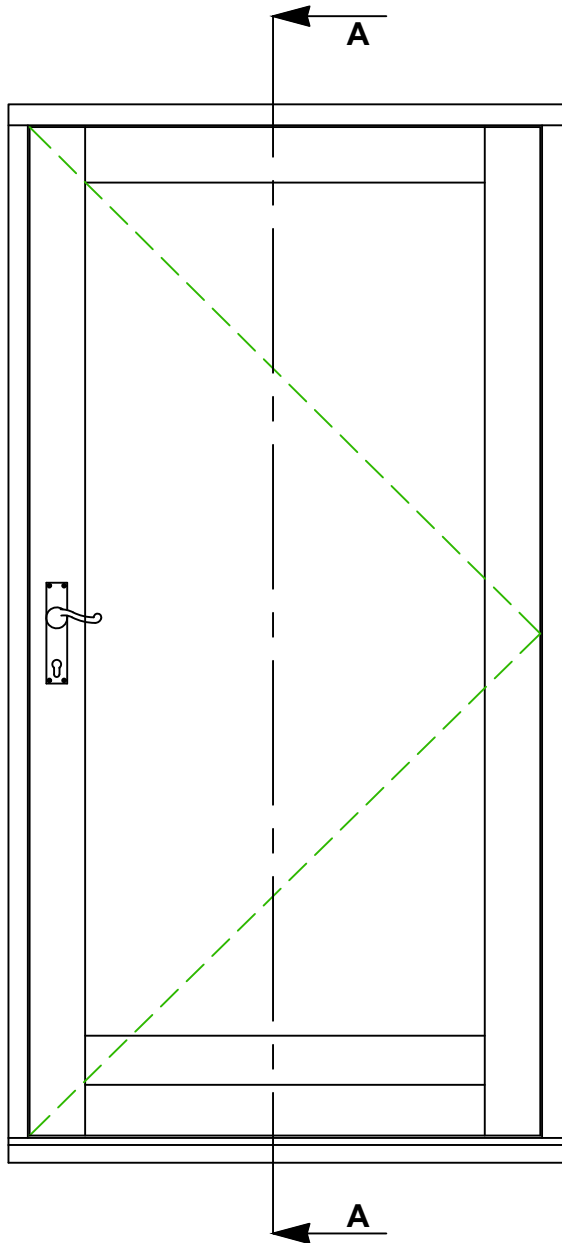
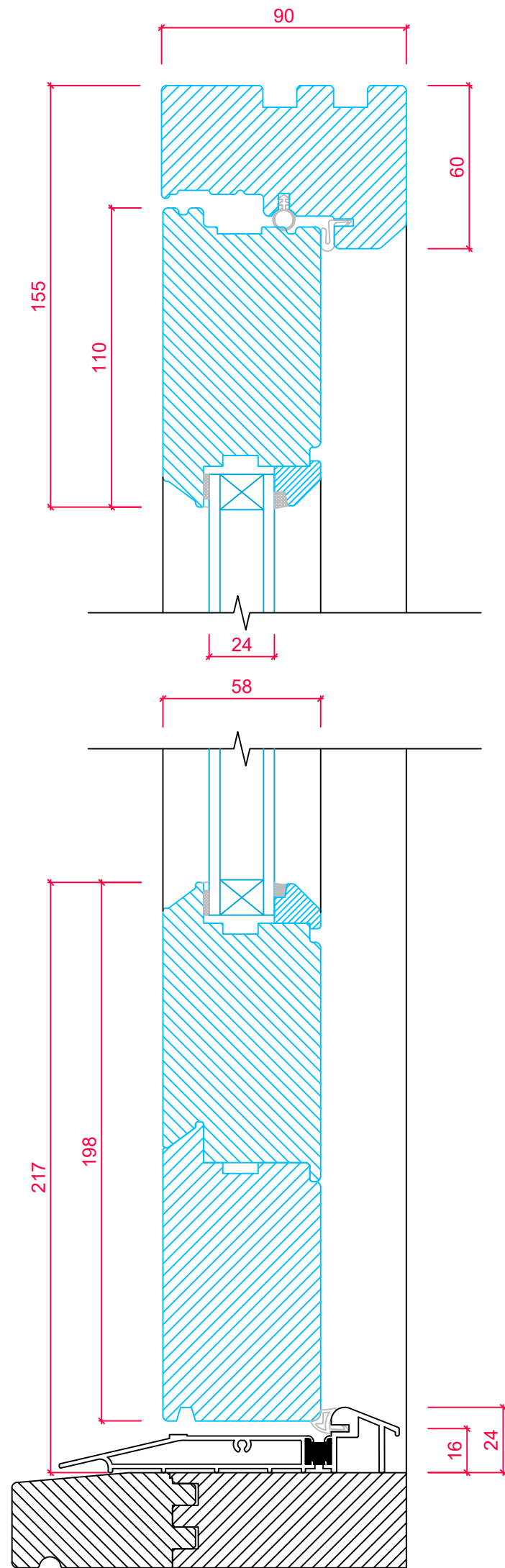


THIS DRAWING AND SPECIFICATIONS ARE THE PROPERTY OF THE PERFORMANCE WINDOW GROUP. THEY ARE ISSUED IN STRICT CONFIDENCE AND SHALL NOT BE REPRODUCED, COPIED OR USED AS THE BASIS FOR MANUFACTURING WITHOUT WRITTEN PERMISSION.



**TYPICAL FRAME LAYOUT**



**FRAME CROSS SECTION 'A-A'**

**TIMBER CILL OPTIONAL.  
SEE CILL OPTIONS DRAWING.**



**TOLERANCES**  
UNLESS OTHERWISE SPECIFIED

ALL DIMENSIONS IN MM  
ALL LINEAR DIMENSIONS ±0.4  
ALL ANGLE DIMENSIONS ±0.5°  
BREAK ALL SHARP EDGES 0.5

PRODUCT RANGE:  
ENTRANCE DOOR - OPEN OUT (Bevel)  
24mm Unit

TITLE  
VERTICAL SECTION DETAIL  
- TOP AND BOTTOM RAILS

Rev B

DRAWN BY: LH DATE DRAWN: 01/03/2017 SCALE: 1:2, 1:15