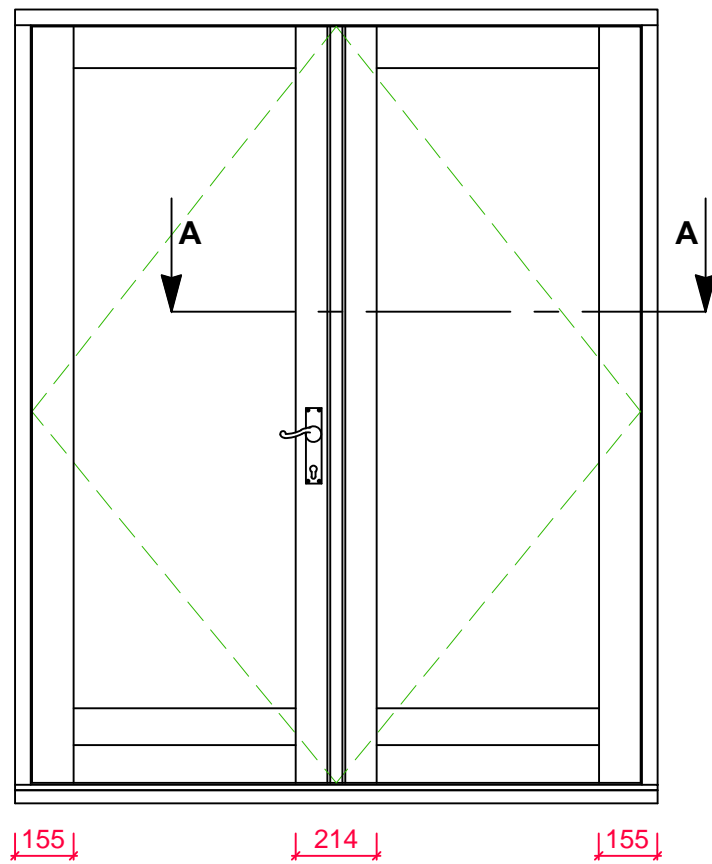
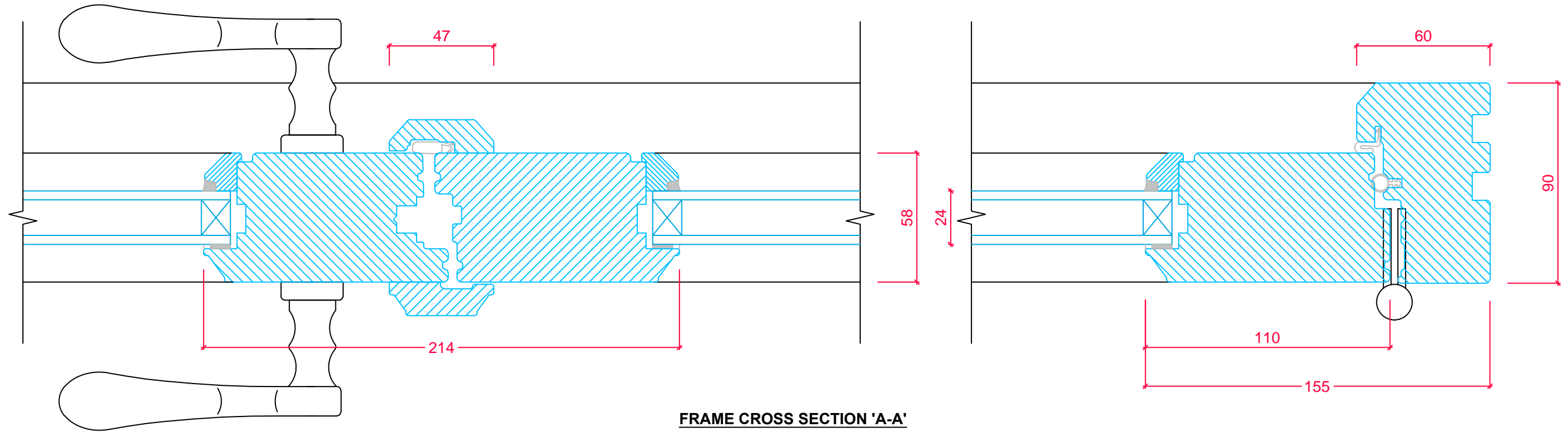


THIS DRAWING AND SPECIFICATIONS ARE THE PROPERTY OF THE PERFORMANCE WINDOW GROUP. THEY ARE ISSUED IN STRICT CONFIDENCE AND SHALL NOT BE REPRODUCED, COPIED OR USED AS THE BASIS FOR MANUFACTURING WITHOUT WRITTEN PERMISSION.



	TOLERANCES <small>UNLESS OTHERWISE SPECIFIED</small>	PRODUCT RANGE: FRENCH DOOR (<i>Open Out</i>)
	<small>ALL DIMENSIONS IN MM ALL LINEAR DIMENSIONS ±0.4 ALL ANGLE DIMENSIONS ±0.5° BREAK ALL SHARP EDGES 0.5</small>	TITLE HORIZONTAL SECTION DETAIL - JAMBS
	<small>Rev B</small>	<small>DRAWN BY: LH DATE DRAWN: 01/03/2017 SCALE: 1:2, 1:20</small>