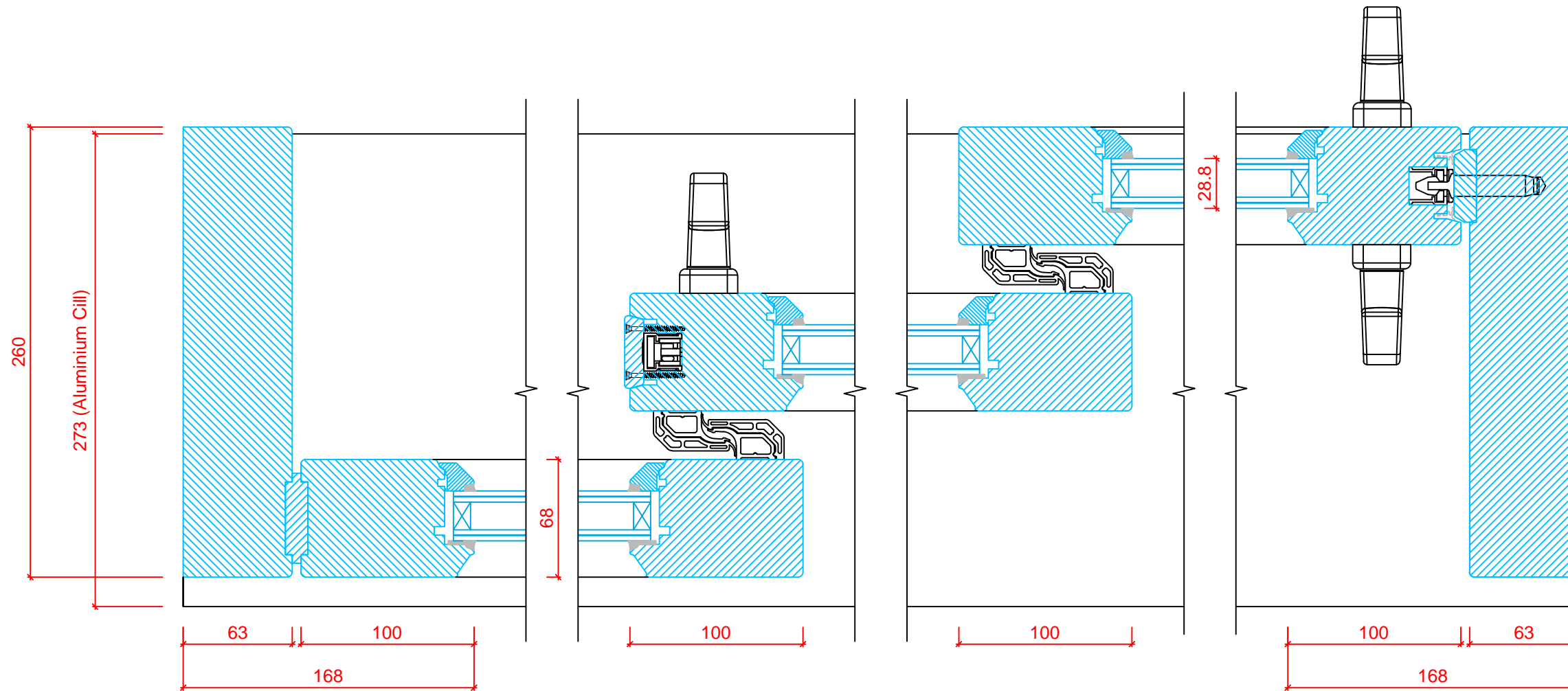
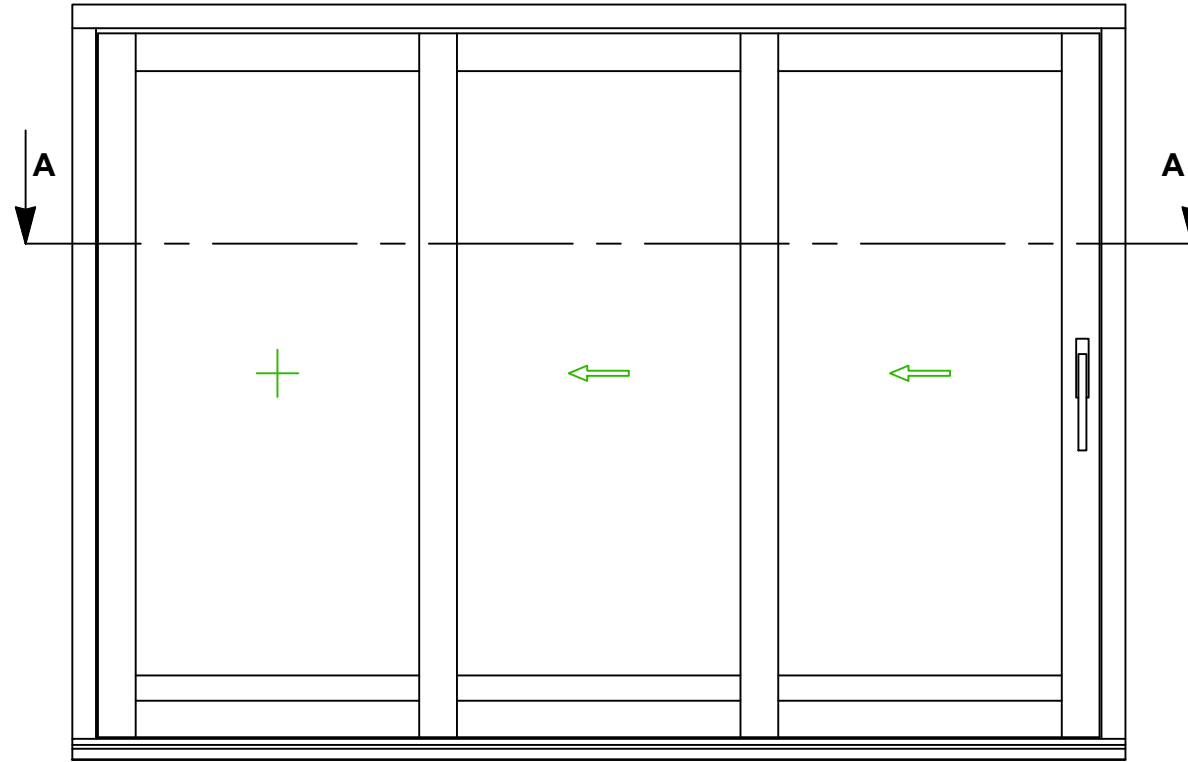


THIS DRAWING AND SPECIFICATIONS ARE THE PROPERTY OF THE PERFORMANCE WINDOW GROUP. THEY ARE ISSUED IN STRICT CONFIDENCE AND SHALL NOT BE REPRODUCED, COPIED OR USED AS THE BASIS FOR MANUFACTURING WITHOUT WRITTEN PERMISSION.

TYPICAL FRAME LAYOUT



FRAME CROSS SECTION 'A-A'



TOLERANCES
UNLESS OTHERWISE SPECIFIED

ALL DIMENSIONS IN MM
ALL LINEAR DIMENSIONS ± 0.4
ALL ANGLE DIMENSIONS $\pm 0.5^\circ$
BREAK ALL SHARP EDGES 0.5

PRODUCT RANGE:
PATIO DOOR (*Bevel*)

TITLE
HORIZONTAL SECTION DETAIL - SCHEME EL
- JAMBS

Rev B

DRAWN BY: LH DATE DRAWN: 23/11/2017 SCALE: 1:2, 1:20