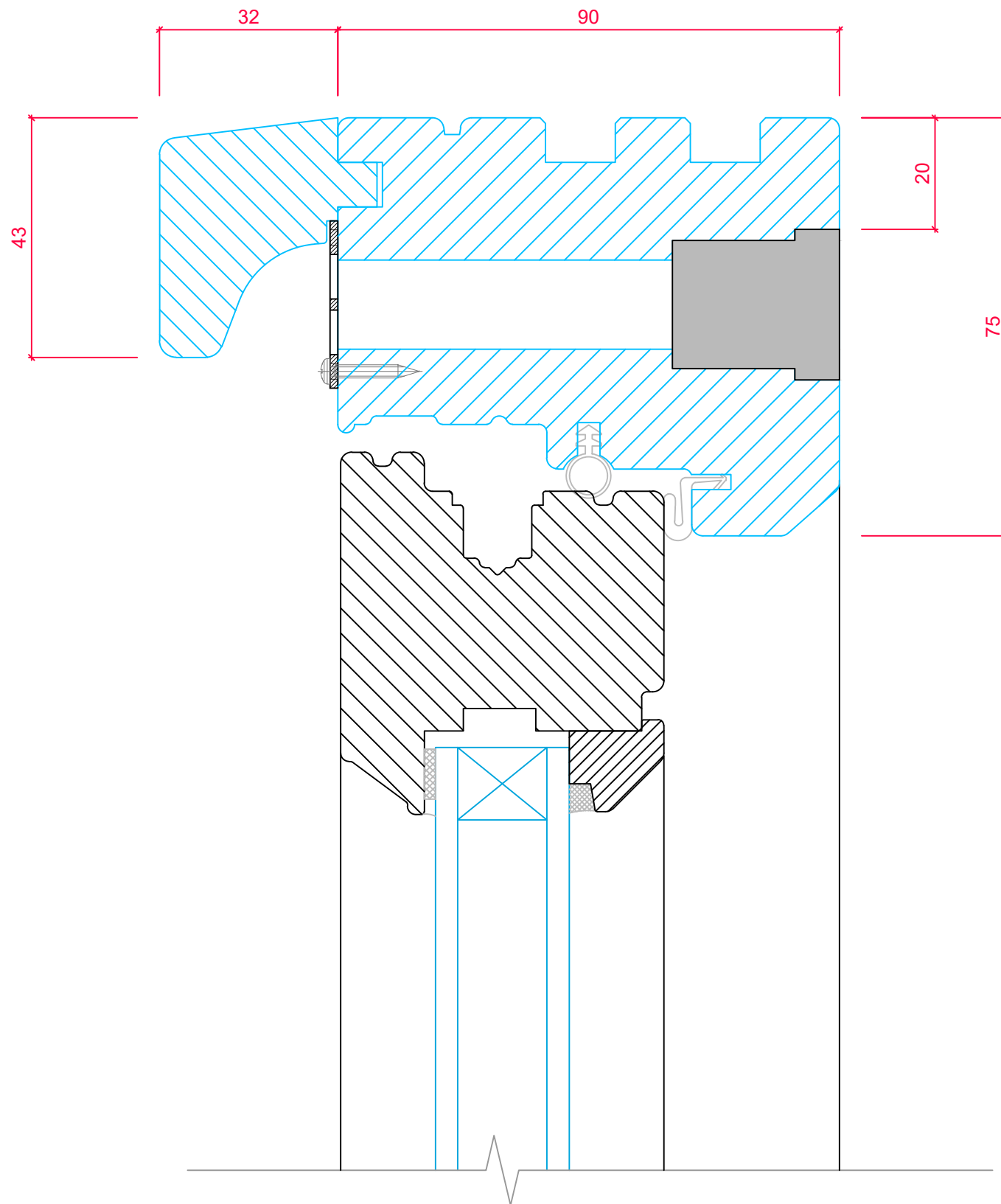


THIS DRAWING AND SPECIFICATIONS ARE THE PROPERTY OF THE PERFORMANCE WINDOW GROUP. THEY ARE ISSUED IN STRICT CONFIDENCE AND SHALL NOT BE REPRODUCED, COPIED OR USED AS THE BASIS FOR MANUFACTURING WITHOUT WRITTEN PERMISSION.



TOLERANCES
UNLESS OTHERWISE SPECIFIED

ALL DIMENSIONS IN MM
ALL LINEAR DIMENSIONS ±0.4
ALL ANGLE DIMENSIONS ±0.5°
BREAK ALL SHARP EDGES 0.5

PRODUCT RANGE:
FLUSH CASEMENT (Bevel)
24mm Unit

TITLE
VERTICAL SECTION DETAIL
- 75mm HEAD with TRICKLE VENT OPTION

Rev B

DRAWN BY:	LH	DATE DRAWN:	01/08/2019	SCALE:	1:1
-----------	----	-------------	------------	--------	-----