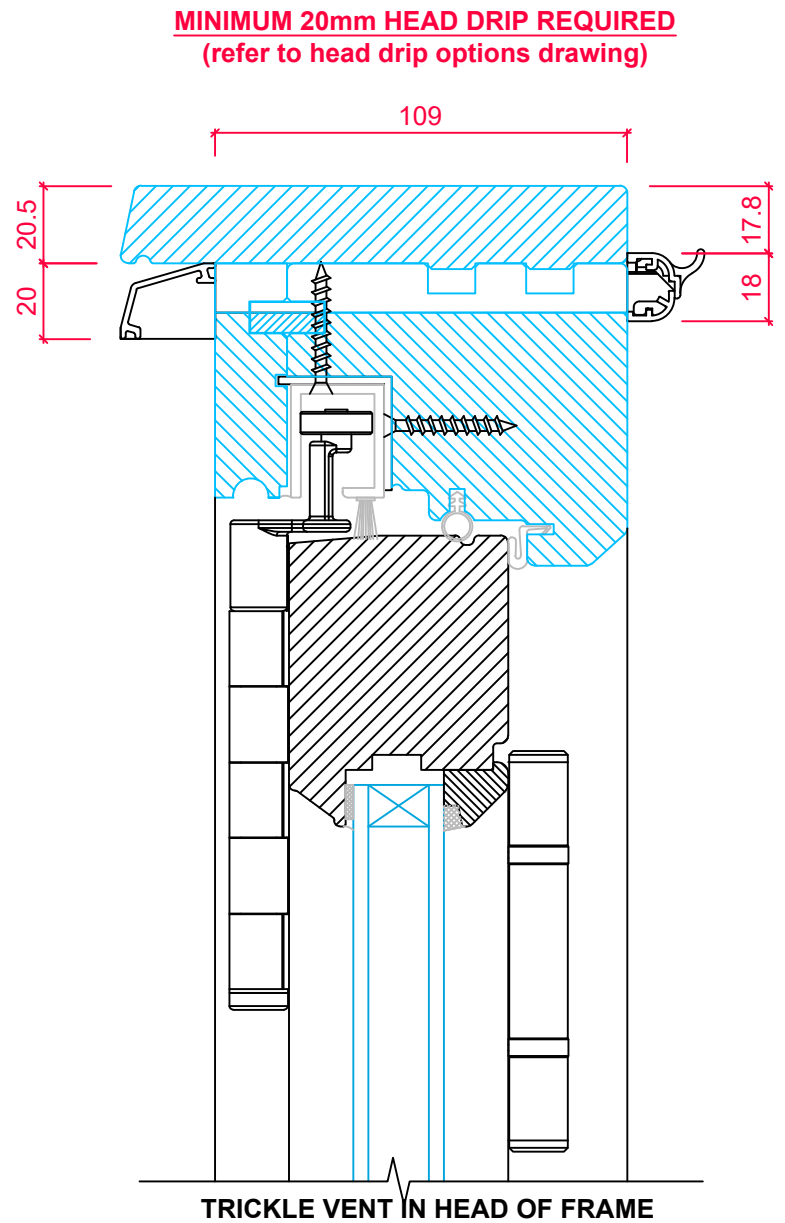
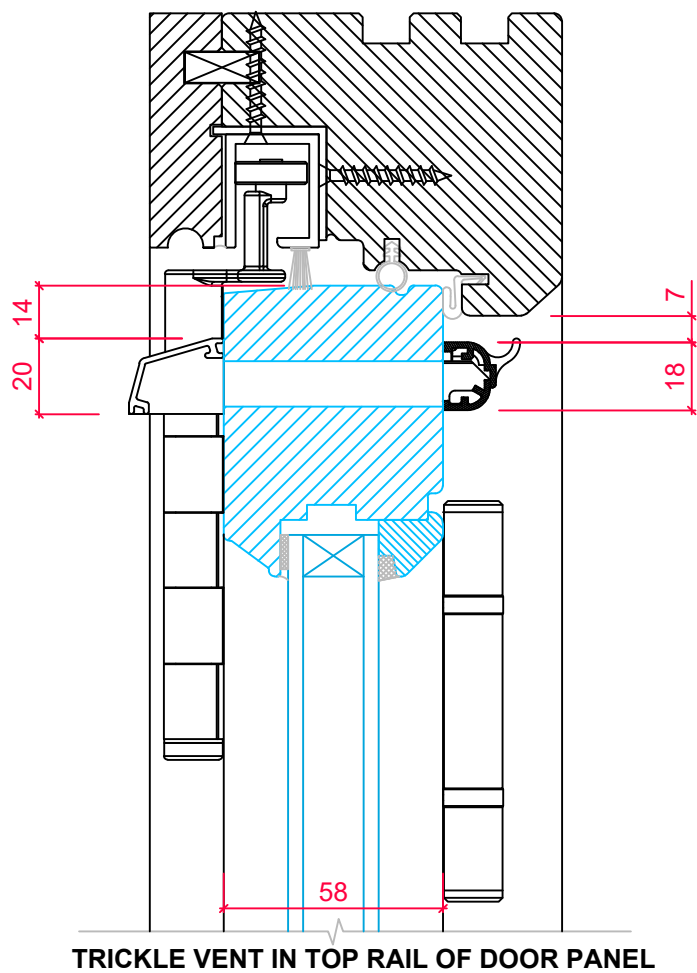


THIS DRAWING AND SPECIFICATIONS ARE THE PROPERTY OF THE PERFORMANCE WINDOW GROUP. THEY ARE ISSUED IN STRICT CONFIDENCE AND SHALL NOT BE REPRODUCED, COPIED OR USED AS THE BASIS FOR MANUFACTURING WITHOUT WRITTEN PERMISSION.



NOTE: THIS TRICKLE VENT OPTION CAN ONLY BE INSTALLED IN THE MASTER OPENING DOOR PANEL OF THE FOLLOWING BI-FOLD DOOR CONFIGURATIONS:-

- 312 / 321
- 413 / 431
- 514 / 541
- 615 / 651



TOLERANCES
UNLESS OTHERWISE SPECIFIED

ALL DIMENSIONS IN MM
ALL LINEAR DIMENSIONS ±0.4
ALL ANGLE DIMENSIONS ±0.5°
BREAK ALL SHARP EDGES 0.5

PRODUCT RANGE: BRIO BI-FOLD (Bevel)			
TITLE VERTICAL SECTION DETAIL - TRICKLE VENT OPTIONS			
DRAWN BY:	AP	DATE DRAWN:	18/04/2019
SCALE:	1:2	Rev B	