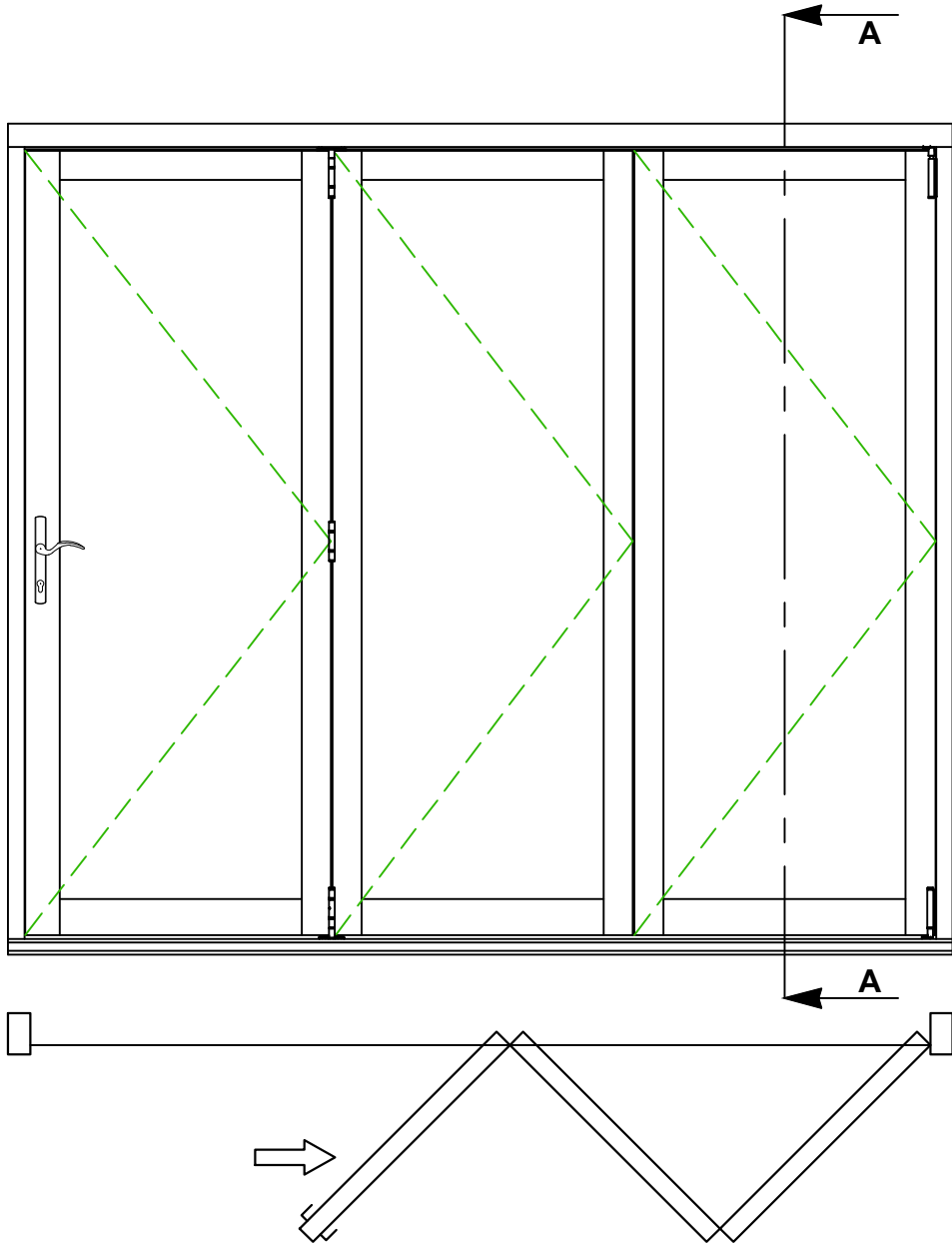
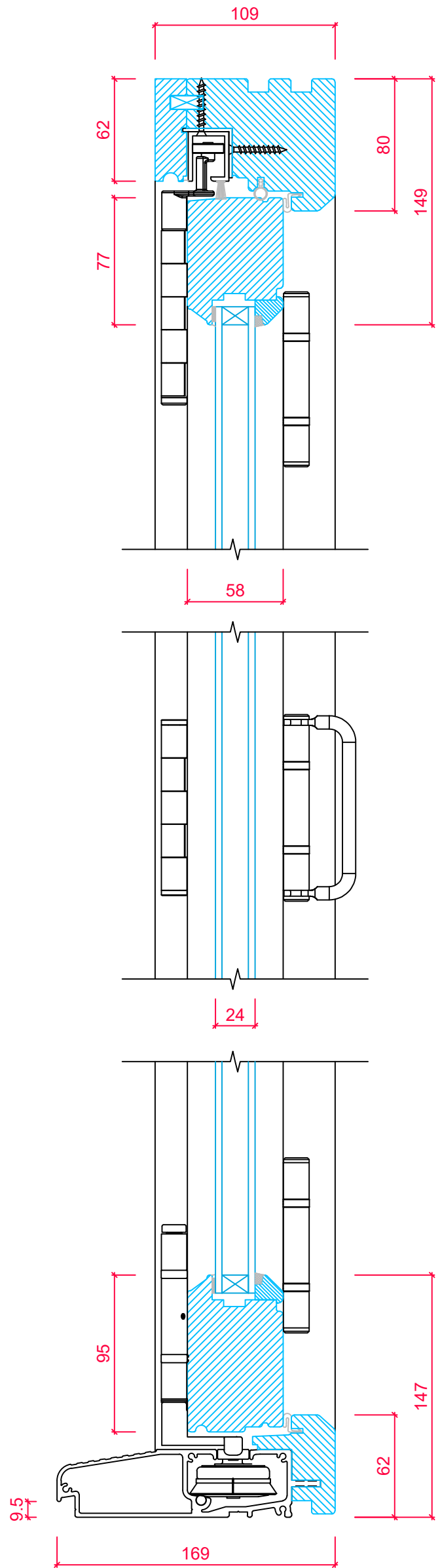


THIS DRAWING AND SPECIFICATIONS ARE THE PROPERTY OF THE PERFORMANCE WINDOW GROUP. THEY ARE ISSUED IN STRICT CONFIDENCE AND SHALL NOT BE REPRODUCED, COPIED OR USED AS THE BASIS FOR MANUFACTURING WITHOUT WRITTEN PERMISSION.



**TYPICAL BI-FOLD LAYOUT**



**CROSS SECTION 'A-A'**



**TOLERANCES**  
UNLESS OTHERWISE SPECIFIED

ALL DIMENSIONS IN MM  
ALL LINEAR DIMENSIONS ±0.4  
ALL ANGLE DIMENSIONS ±0.5°  
BREAK ALL SHARP EDGES 0.5

PRODUCT RANGE:  
**BRIO BI-FOLD (Bevel)**

TITLE  
**303 DOOR CONFIGURATION  
VERTICAL SECTION DETAIL**

Rev B

DRAWN BY: AP      DATE DRAWN: 18/04/2019      SCALE: 1:3, 1:20