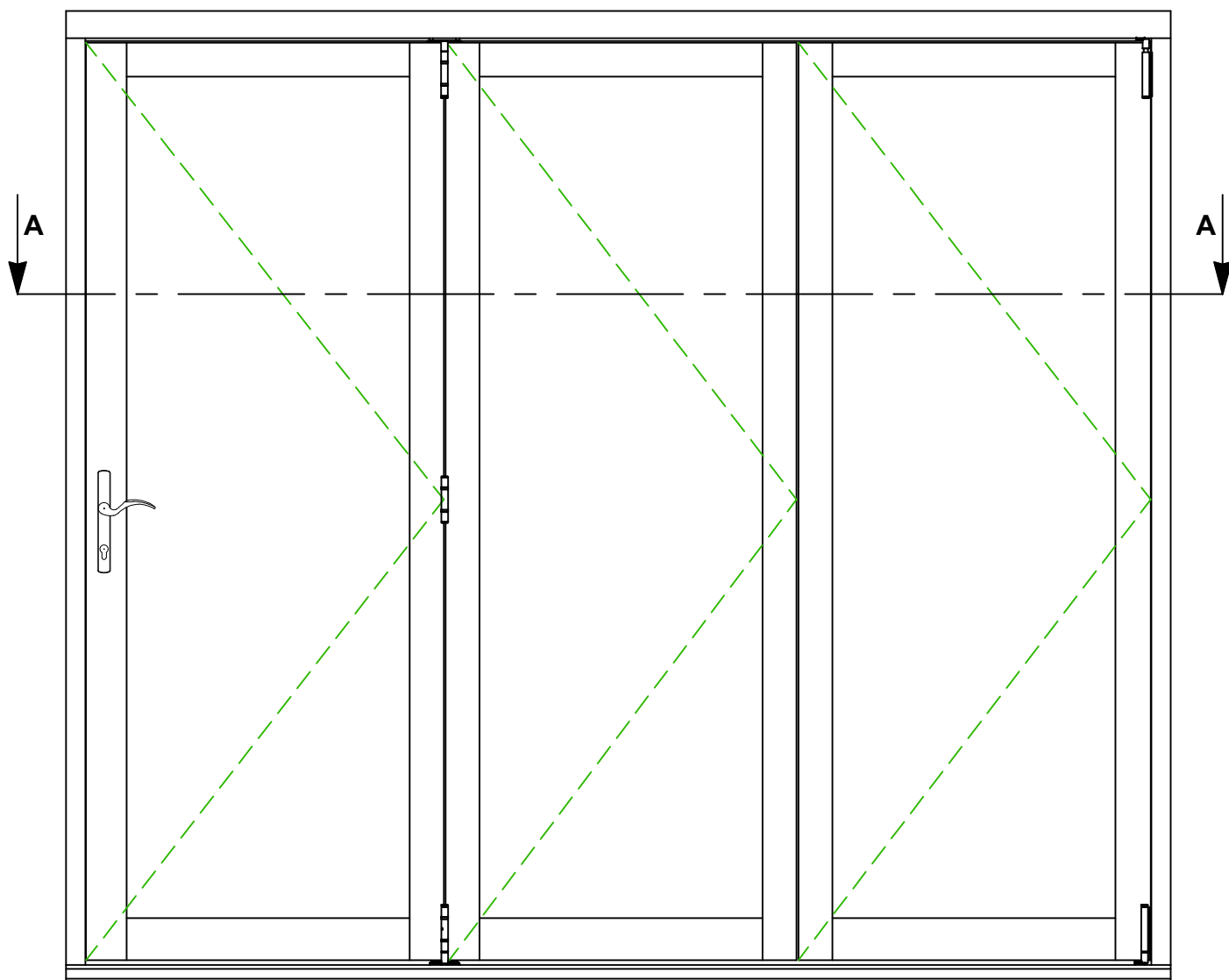
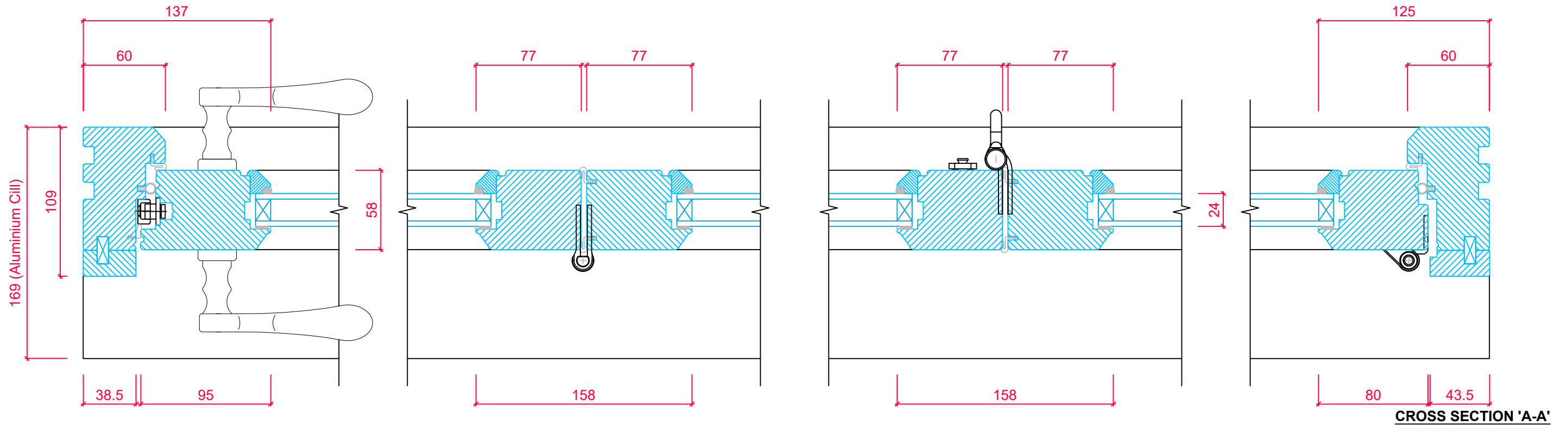



THIS DRAWING AND SPECIFICATIONS ARE THE PROPERTY OF THE PERFORMANCE WINDOW GROUP. THEY ARE ISSUED IN STRICT CONFIDENCE AND SHALL NOT BE REPRODUCED, COPIED OR USED AS THE BASIS FOR MANUFACTURING WITHOUT WRITTEN PERMISSION.



303 DOOR CONFIGURATION

ALL MEASUREMENTS ARE FINISHED DIMENSIONS IN MM.

DO NOT SCALE DRAWING!

	TOLERANCES <small>UNLESS OTHERWISE SPECIFIED</small>	PRODUCT RANGE: BRIO BI-FOLD (<i>Bevel</i>)
	ALL DIMENSIONS IN MM ALL LINEAR DIMENSIONS ± 0.4 ALL ANGLE DIMENSIONS $\pm 0.5^\circ$ BREAK ALL SHARP EDGES 0.5	TITLE 303 DOOR CONFIGURATION HORIZONTAL SECTION DETAILS
DRAWN BY: AP		DATE DRAWN: 18/04/2019 SCALE: 1:3, 1:15

Rev B

Din A3