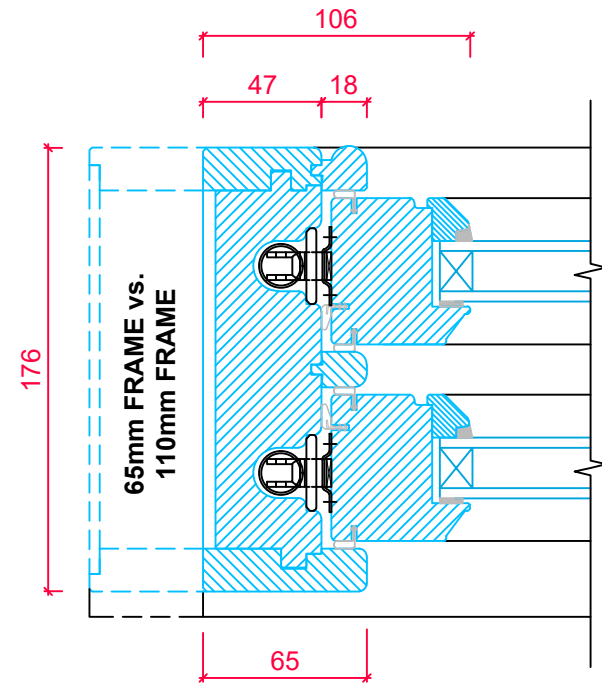
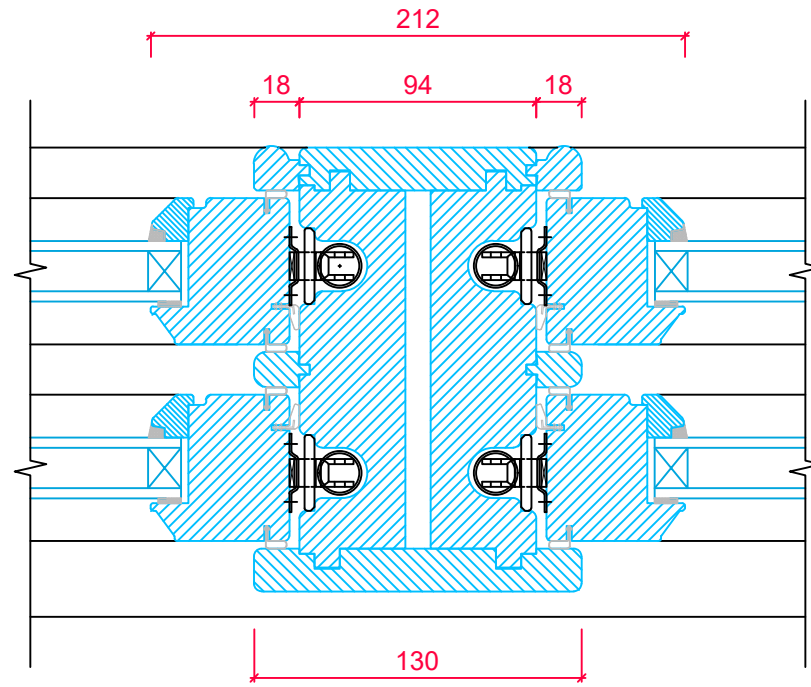


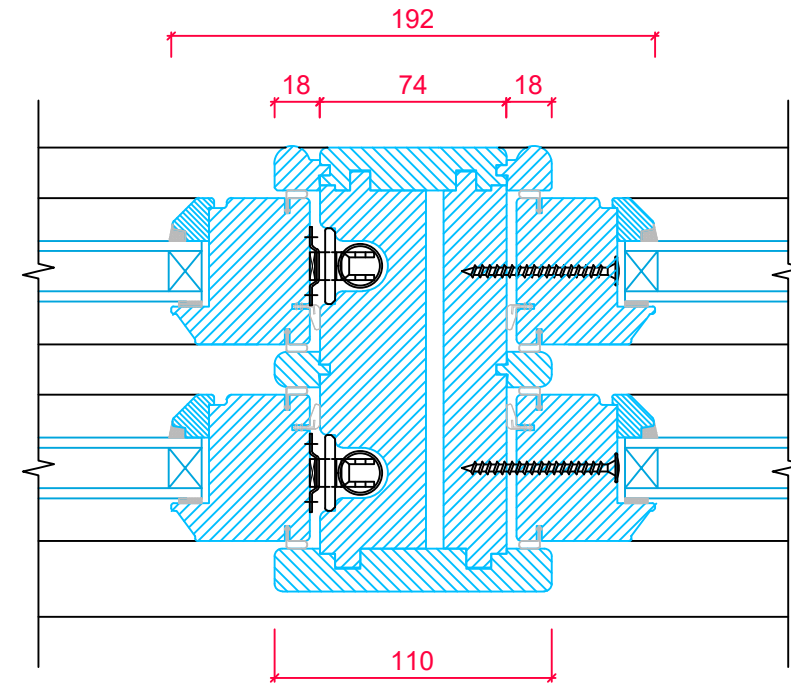
THIS DRAWING AND SPECIFICATIONS ARE THE PROPERTY OF THE PERFORMANCE WINDOW GROUP. THEY ARE ISSUED IN STRICT CONFIDENCE AND SHALL NOT BE REPRODUCED, COPIED OR USED AS THE BASIS FOR MANUFACTURING WITHOUT WRITTEN PERMISSION.



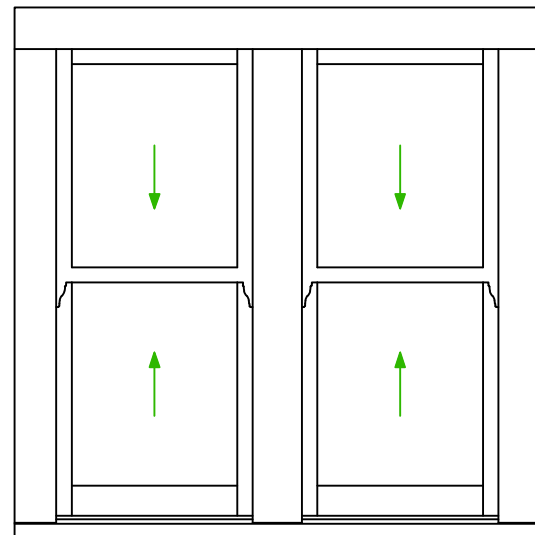
**LH JAMB SECTION
FOR OPENING SASH
(RH IS DIRECT MIRROR)**



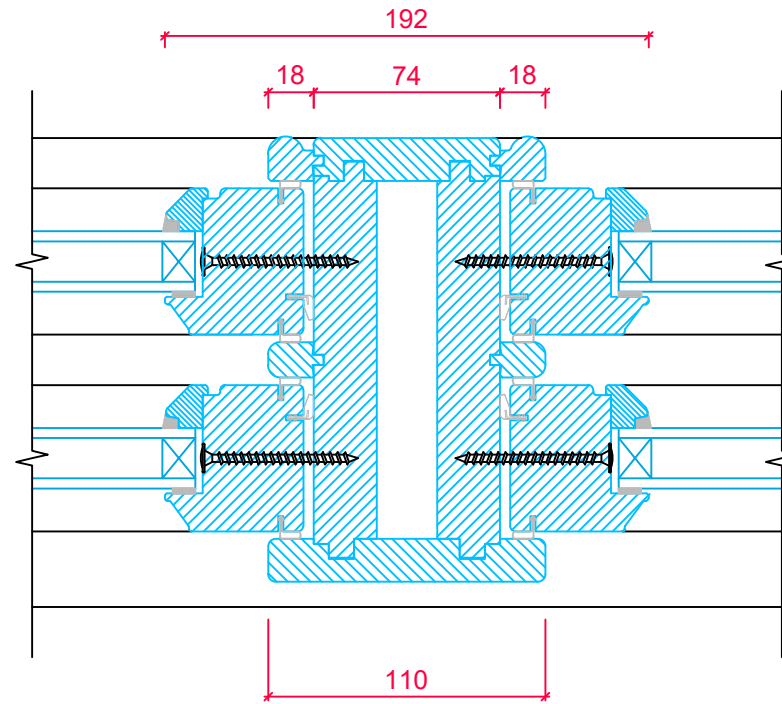
**CENTRAL MULLION
FOR DOUBLE OPENING SASH**



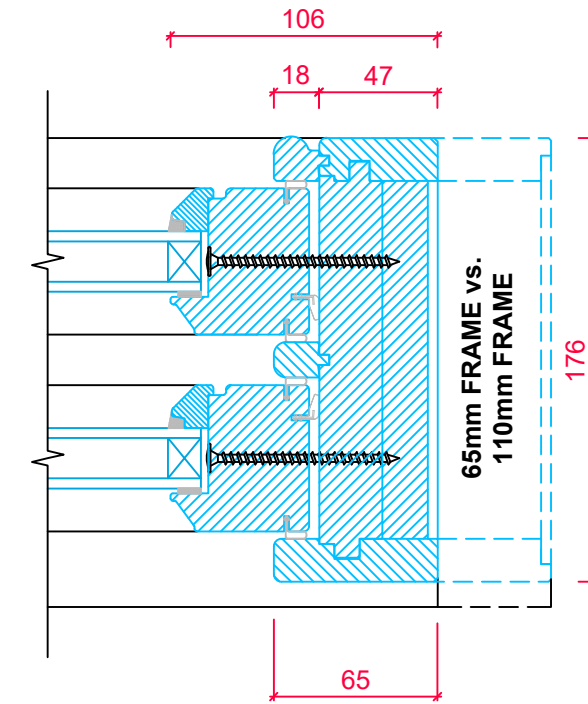
**CENTRAL MULLION
FOR DOUBLE OPENING FIXED
COMBO SASH**



**TYPICAL DOUBLE OPENING SASH
LAYOUT (110mm Frame Width)**



**CENTRAL MULLION
FOR DOUBLE FIXED SASH**



**RH JAMB SECTION
FOR FIXED SASH
(LH IS DIRECT MIRROR)**



**TOLERANCES
UNLESS OTHERWISE SPECIFIED**

ALL DIMENSIONS IN MM
ALL LINEAR DIMENSIONS ±0.4
ALL ANGLE DIMENSIONS ±0.5°
BREAK ALL SHARP EDGES 0.5

PRODUCT RANGE:
176mm HIDDEN SPRING (Bevel)

TITLE
HORIZONTAL SECTION DETAIL
- WITH MULLION

Rev B
DRAWN BY: AP DATE DRAWN: 01/10/2018 SCALE: 1:3, 1:20